

**OPERATING AND SERVICE MANUAL SUPPLEMENT**

**SUPPLEMENT  
FOR  
10529A LOGIC COMPARATOR**

**Programmable Socket Card 10529-60014 Series 1424A**

For use with Logic Comparator Operating and Service Manual 10529-90005.

Copyright      HEWLETT-PACKARD COMPANY      1974  
5301 STEVENS CREEK BLVD., SANTA CLARA, CALIF. 95050

**MANUAL PART NUMBER 10529-90007  
MICROFICHE PART NUMBER 10529-90008**

**Printed: APR 1974**

**PRINTED IN U.S.A.**



**HEWLETT  
PACKARD**

## **CERTIFICATION**

*The Hewlett-Packard Company certifies that this instrument was thoroughly tested and inspected and found to meet its published specifications when it was shipped from the factory. The Hewlett-Packard Company further certifies that its calibration measurements are traceable to the U.S. National Bureau of Standards to the extent allowed by the Bureau's calibration facility.*

## **WARRANTY AND ASSISTANCE**

All Hewlett-Packard products are warranted against defects in materials and workmanship. This warranty applies for one year from the date of delivery, or, in the case of certain major components listed in the operating manual, for the specified period. We will repair or replace products which prove to be defective during the warranty period, provided they are returned to Hewlett-Packard. No other warranty is expressed or implied. We are not liable for consequential damages.

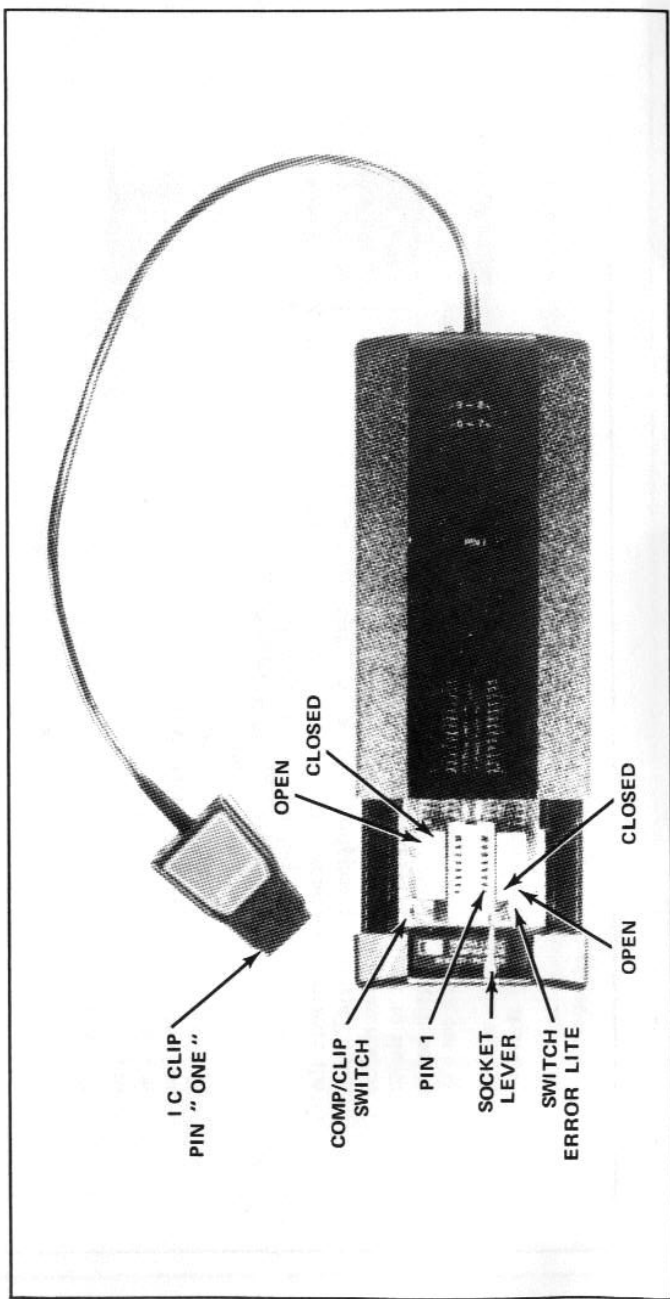
Service contracts or customer assistance agreements are available for Hewlett-Packard products that require maintenance and repair on-site.

For any assistance, contact your nearest Hewlett-Packard Sales and Service Office. Addresses are provided at the back of this manual.

**TABLE OF CONTENTS**

	Page
Introduction .....	1
Specifications .....	1
Description .....	1
Operation .....	2
Logic Comparator Operation .....	2
Logic Clip Operation .....	3
Failure Detection .....	4
Theory of Operation .....	5
Service Information .....	5

Figure 1. Socket Card



Model 10529A

**INTRODUCTION**

This supplement covers specifications, operating instructions, theory, and service information for Programmable Socket Card 10529-60014. Use this supplement with the 10529A Operating and Service Manual (part number 10529-90005).

**DESCRIPTION**

The 10529-60014 Programmable Socket Card extends the usefulness of the 10529A Logic Comparator by allowing rapid test set-ups for seldom used IC's. The socket card also provides a Logic Clip function by displaying the status of each of the 14 or 16 pins of an IC under test.

Programming for a specific IC is easily accomplished. Two different methods are available. First the socket card included with the Comparator is inserted in the Comparator drawer. Outputs of the particular IC to be tested are selected via 16 miniature switches which tell the comparator which pins of the reference IC are to be allowed to respond freely. The reference IC is then inserted into the socket and locked into place. Any new IC may be set up in seconds. Alternatively, if specific IC types are to be tested repeatedly, the reference IC may be soldered into one of the reference cards provided with the Comparator. The reference card is programmed in minutes by opening the connections between the test and reference IC's outputs and solder bridging Vcc and ground. The socket card automatically seeks Vcc and ground. Ten blank

**SPECIFICATIONS**

The following specifications change when the socket card is used with the 10529A Logic Comparator. All other specifications are as listed in Table 1-1 of the 10529A manual.

**Input Threshold:**

1.8 volts nominal, TTL or DTL compatible.

**Sensitivity:**

Error Sensitivity: 300 nanoseconds, errors greater than this are detected and stretched to at least 0.1 seconds.

reference cards and the socket card are included with each Comparator.

The socket card also provides a Logic Clip function. In addition to the display of the instantaneous states of the 14 or 16 pins of the IC in the circuit via the Comparator's 16 LED's (one per pin), the Comparator-Clip also provides stretching on each pin. Thus intermittent highs and lows of 300 nanoseconds or longer may be detected. (See Logic Clip Operation.)

All operating power for the logic comparator is drawn from the circuit under test through the IC clip. No batteries or line power is used. The reference IC card has solderable connections to provide operating power to the comparator from the circuit being tested. The programmable socket card powers the logic comparator from the circuit under test by automatically locating Vcc and ground pins of the IC. Integrated circuits in the logic comparator are low-power TTL units to keep power consumption low.

Before the comparator is used to test an IC in operating equipment, one reference IC must be installed

on a 10529-20005 reference IC card, or into the reference socket of the programmable socket card 10529-60014. The reference IC must be the same type as the IC to be tested, and a known good IC.

## OPERATION

The following procedure describes how to use the Logic Comparator with the Programmable Socket Card.

### Logic Comparator Operation

- a. Pull drawer out of comparator case until drawer stops are reached - then put socket board in opening (see Figure 1 for correct position of socket card). Push drawer back into comparator case. Set the COMP/CLIP switch to the COMP position.
- b. Check location of Pin 1 of the reference IC and match it to Pin 1 on the socket card (see Figure 1). The socket lever must be put in the vertical position while installing the IC in the socket. Put reference IC pins into the correct holes of the socket. To lock the

IC into the socket, push the socket lever into the horizontal position.

c. Identify the output pins of the reference IC. Set all output pin program switches to the open position (away from the socket). Place all other switches to the closed position (towards the socket).

d. The reference IC is now ready for use in the comparator.

e. Put the IC connector clip on the IC to be tested. Be sure to position the IC connector clip pin 1 index mark with pin 1 of the IC to be tested (see Figure 1).

f. The comparator "ON" light should illuminate.  
g. If any of the 16 LED's light, the logic levels at that pin of the reference IC and the IC being tested are different. Since the reference IC is "known good" the fault is in the IC being tested.

### Logic Clip Operation

The following is the procedure for using the Logic Comparator as a Logic Clip:

- a. Pull drawer out of comparator case until drawer stops are reached - then put socket board in opening (see Figure 1 for correct position of socket card). Push drawer back into comparator case.
- b. Set the COMP/CLIP switch to the CLIP position.
- c. Set all program switches to the open position (away from the socket).
- d. Put the connector clip on IC to be tested. Be sure to position the IC connector clip pin 1 index mark with pin 1 of the IC to be tested.

### NOTE

If the SWITCH ERROR light on the Socket Card illuminates, check that all switches are set to the open position. The light ON indicates a short between Vcc and common through one of the switches.

e. The comparator "ON" LED should illuminate. The 16 LED's now display the "high" and "low" logic levels of the corresponding IC pins. An "ON" LED

represents a logic "high" while an "off" LED represents a logic "low". Positive pulses will be stretched and displayed as an "ON" LED for a minimum of 50 ms. Negative pulses will not be stretched. If a pin is pulsing, the corresponding LED will flash "ON" and "OFF", or appear as a static "High" depending on the frequency. These two conditions are differentiated in step "e".

f. With the COMP/CLIP switch set to the COMP position, all "low" logic levels will be displayed as "ON" LED's and all "high" logic levels will be displayed as "OFF" LED's. Negative pulses will be stretched and displayed as "ON" LED's for a minimum of 50 ms. Positive pulses will not be stretched. If a pin is pulsing, the corresponding LED will flash "ON" and "OFF", or appear as a static "low" depending on the frequency. These two conditions are differentiated in "e" above.

### Failure Detection

The following procedure is useful in determining the nature of the failure detected by the comparator:

There are two general types of Logic Circuit failure: a static failure and a dynamic failure.

The static failure is the result of a node continuously held high or low. This is caused by an output gate failure or the failure of an input gate tied to the node. Other static failures occur when the node is loaded down by circuits that are not intended to draw current from that node. These faults are typically caused by problems such as a solder bridge or external wiring faults.

The dynamic failure is typified by a node with signal activity that does not follow some prescribed truth table. This type failure is normally identified by a deviation of IC operation from the truth table. Two other possibilities however must be considered before any IC's are replaced: the failure of an input gate on the node and the unwanted connection to the node.

Use the following procedure to determine the nature of the failure.

a. Use the comparator as explained above (see section Logic Comparator operation). Note all failed pin numbers.



b. Use the comparator with socket card as a Logic Clip and observe failed pin numbers of step a. All LED's that are off represent pins that are stuck low indicating a probable static type failure. All that are pulsing or flashing have pulse activity which may indicate a dynamic failure. All pins that are high may be high or have pulse activity.

To differentiate between the last two states, set the COMP/CLIP switch to COMP. All failed pins that are now pulsing have pulse activity (which may indicate a dynamic failure), while all others are high.

## THEORY OF OPERATION

Programmable Socket Card.

Figure 2 is a schematic diagram of the socket card. The card provides the following functions:

- 1) Connects Vcc and common of the test IC with the corresponding Vcc and common pins of the Comparator.
- 2) Permits comparator operation in the Logic Clip mode as well as the normal comparator mode.

The B input line with the highest voltage will be tied to the Vcc bus through its forward biased diode. The B input line with the lowest voltage will be tied to the Com Bus through its forward biased diode. S3 is used to select either Clip or Comparator mode of operation. In the Clip mode CR19-22 and CR40-51 are tied to the common bus through DS1. DS1 provides protection against operation where an S1 or S2 switch is closed, applying a positive voltage from the B line to the A line, forward biasing the diode. When S3 is in the Comparator mode, CR19-22 and CR40-51 are tied to the Vcc bus.

When S3 is in the Clip mode CR19-22 and CR40-51 are tied to the common bus through DS1. S1 1-8 and S2 1-8 provide a means of paralleling the Ref IC inputs with those of the IC under test. Open switches enable comparison of the Reference and test IC.

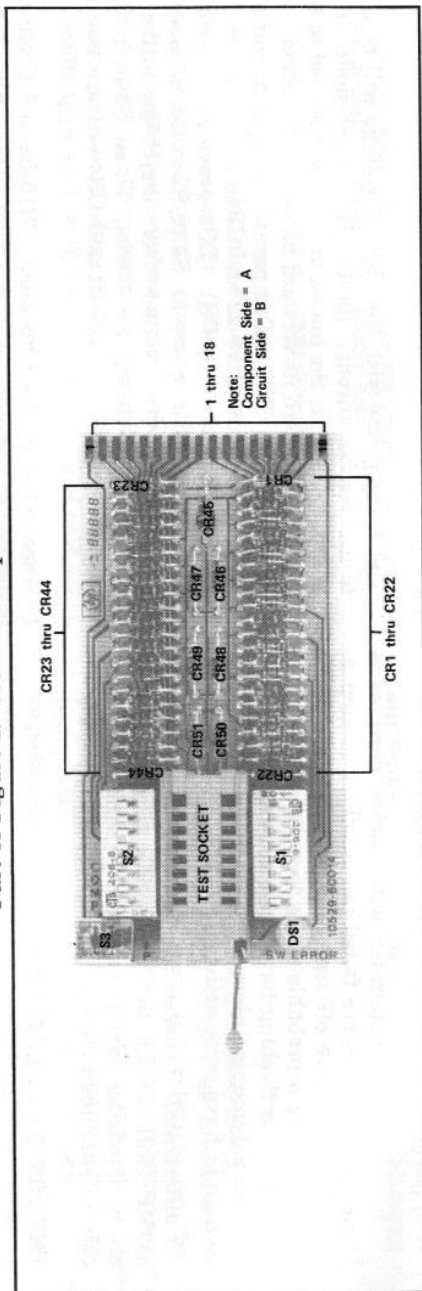
## SERVICE INFORMATION

Table 1 lists replaceable parts for the Programmable Socket Card. A component locator and schematic diagram are shown in Figure 2.

Table 1. Replaceable Parts

Ref. Desig.	HP Part No.	Qty.	Description	Ref. Desig.	HP Part No.	Qty.	Description
DS 1 For DS1 S3	2140-0420	1	LAMP	S1S2  CR1-51	3101-1856	2	SW.-PROGRAM
	1200-0147	1	INS.-NYLON		1200-0542	1	SOCKET-TEST
	3101-1857	1	SW.-SLIDE		1910-0047	51	DIODE
					10529-20014	1	BD-BLANK

Part of Figure 2. 10529A Component Locator



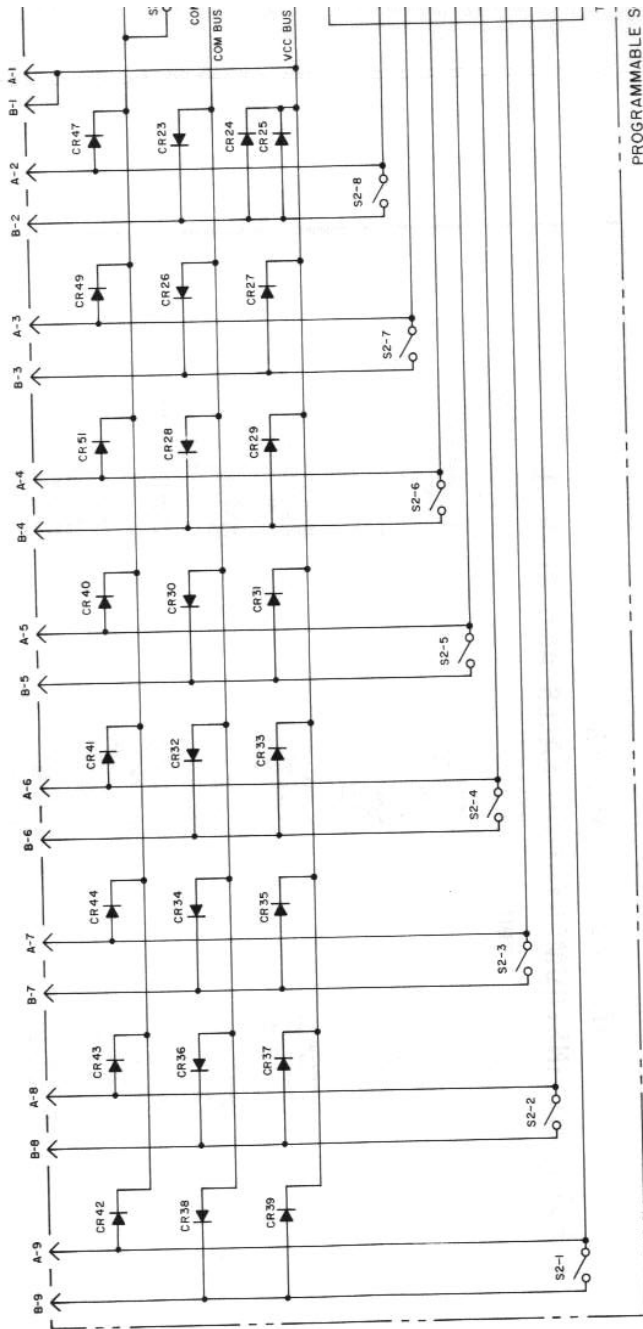
---

**Figure 2**  
**10529A COMPONENT LOCATOR AND**  
**SCHEMATIC DIAGRAM**

(See Page 7)

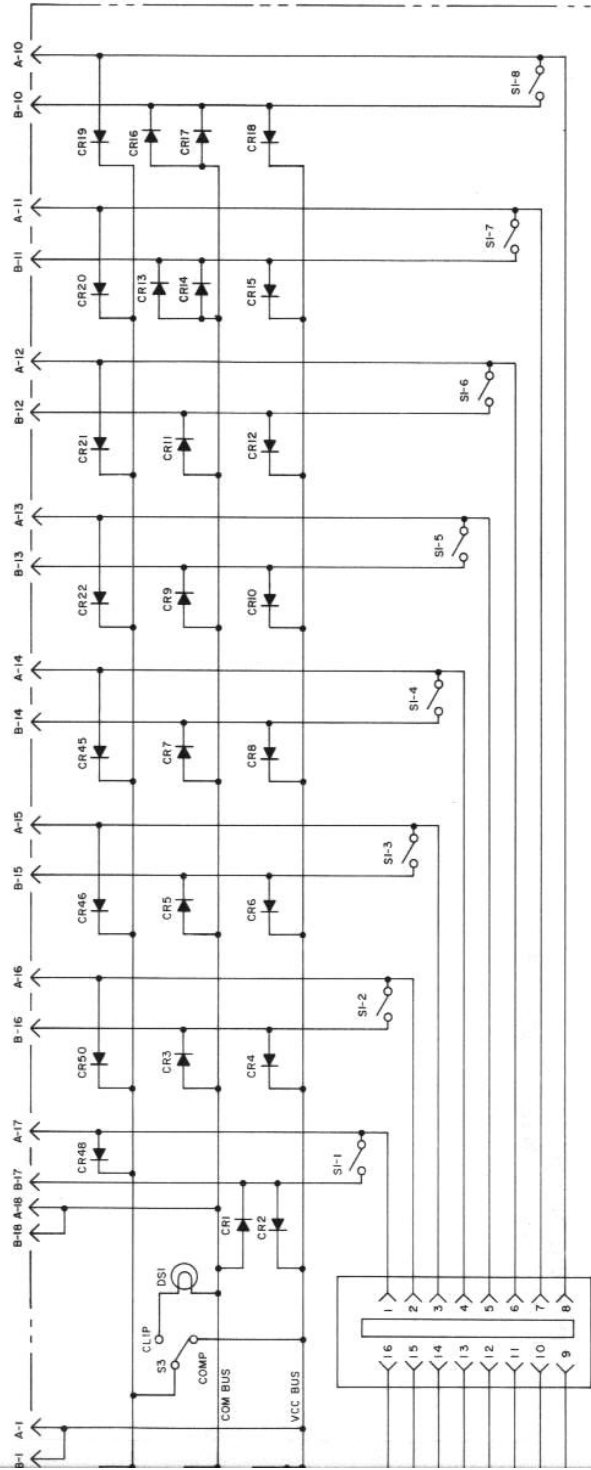
Figure 2. 10529A Component

Model 10529A



PROGRAMMABLE S

# Component Locator and Schematic Diagram



TEST SOCKET

10529-1E3

MMABLE SOCKET (10529-60014) SERIES 1422

# HEWLETT·PACKARD ELECTRONIC INSTRUMENTATION SALES AND SERVICE UNITED STATES

## ALABAMA

P.O. Box 4207  
2003 Byrd Spring Road S.W.  
Birmingham, Alabama 35202  
Tel: (205) 881-4591  
TWX: 810-726-2204

## ARIZONA

2336 E. Magnolia St.  
Phoenix, Arizona 85016  
Tel: (602) 252-5061  
TWX: 910-951-1330  
5737 East Broadway  
Tucson 85716  
Tel: (602) 298-2131  
TWX: 910-952-1162

## CALIFORNIA

1430 East Orangeflora Ave.  
Orange, California 92667  
Tel: (714) 870-1000

3939 Lakeshore Boulevard  
North Hollywood 91604

Tel: (213) 877-1282  
TWX: 910-499-2170

1101 Embarcadero Road  
Palo Alto 94303

Tel: (415) 321-5600  
TWX: 910-373-1280

2220 Watt Avenue  
San Francisco 94132

Tel: (916) 482-1463  
TWX: 910-367-2092

## COLORADO

7965 East Prentice  
Aurora, Colorado 80016  
Tel: (303) 771-3455  
TWX: 910-935-0705

## CONNECTICUT

508 Tolland Street  
East Hartford 06108  
Tel: (203) 253-3131  
TWX: 710-425-3416

111 East Avenue  
Meriden 06455  
Tel: (203) 853-1251  
TWX: 710-468-3750

## FLORIDA

10000 N.W. 22nd  
2806 W. Oakland Park Blvd.  
Ft. Lauderdale 33307  
Tel: (305) 731-2020  
TWX: 510-955-4099

P.O. Box 20007  
Herridon Station  
Tallahassee, Florida 32309  
Griando  
Tel: (305) 841-3970  
TWX: 810-850-0113

## GEORGIA

P.O. Box 28234  
450 Interstate North  
Atlanta 30306-6181  
Tel: (404) 526-6181  
TWX: 810-766-8890

## ILLINOIS

5500 Howard Street  
Skokie 60076  
Tel: (312) 677-0000  
TWX: 910-923-3613

## INDIANA

3939 Meadows Drive  
Indianapolis 46219  
Tel: (317) 546-4891  
TWX: 810-341-3263

## LOUISIANA

1942 Williams Boulevard  
Kenner 70052  
Tel: (504) 721-8201  
TWX: 810-952-5524

## MARYLAND

6707 Whitestone Road  
Linthicum Heights  
Tel: (301) 944-5400  
TWX: 710-862-9157

P.O. Box 1648  
Beckville 20850  
Tel: (301) 948-6370  
TWX: 710-826-9884

## MASSACHUSETTS

37 Hartwell Ave.  
Levington 02171  
Tel: (617) 486-0  
TWX: 710-326-6904

## MICHIGAN

1000 Western Highway  
Southfield 48075  
Tel: (313) 353-9100  
TWX: 810-224-4882

## MINNESOTA

2459 University Avenue  
St. Paul 55105  
Tel: (612) 445-0461  
TWX: 910-563-3734

## MISSOURI

1110 Glenview Ave.  
Kansas City 64137  
Tel: (816) 763-8000  
TWX: 910-771-2087

2812 South Brentwood Blvd.  
St. Louis 63144  
Tel: (314) 525-6000  
TWX: 910-760-1070

## NEW JERSEY

700  
Princeton 08542  
Tel: (201) 285-5000  
TWX: 710-890-4951

1060 N. Kings Highway  
Cherry Hill 08034  
Tel: (609) 682-4600  
TWX: 710-852-4945

**NEW MEXICO**

P.O. Box 8366  
 Station C  
 6501 Lomas Boulevard N.E.  
 Tel: (505) 765-3713  
 Tel: (505) 989-1665  
 TWX: 910-989-1665

156 Wyatt Drive  
**Las Cruces** 88601  
 Tel: (505) 526-2485  
 TWX: 910-983-0550

**NEW YORK**

1492 Central Avenue  
 10475  
 Tel: (516) 869-8462  
 TWX: 710-441-8270

1219 Campelle Road  
**Endicott** 13760  
 Tel: (607) 754-0050  
 TWX: 510-252-0890

82 Washington Street  
 10007  
 Tel: (212) 485-1310  
 Tel: (212) 485-1230  
 TWX: 510-248-0012

39 Sayreway Drive  
**Rochester** 14623  
 Tel: (716) 473-5500  
 TWX: 510-253-5891

1025 Northern Boulevard  
**Roslyn, Long Island** 11576  
 Tel: (516) 486-1111  
 TWX: 510-223-0811

5868 East Melroy Road  
**Syracuse** 13211  
 Tel: (315) 454-2486  
 TWX: 710-541-0482

**NORTH CAROLINA**

P.O. Box 5188  
 1000 S. Streeb  
**High Point** 27262  
 Tel: (919) 885-8101  
 TWX: 310-926-1516

**OHIO**

5555 Center Ridge Road  
**Cleveland** 44145  
 Tel: (216) 835-0300  
 TWX: 810-427-9129

3460 South Dixie Drive  
**Dayton** 45439  
 Tel: (513) 298-0351  
 TWX: 810-459-1925

1120 Morse Road  
**Columbus** 43229  
 Tel: (614) 846-1300

**PENNSYLVANIA**

2500 Moss Side Boulevard  
 19104  
 Tel: (412) 271-0234  
 TWX: 710-797-8550

1021 8th Avenue  
**King of Prussia** 19406  
 Tel: (215) 265-7000  
 TWX: 310-660-8870

**RHODE ISLAND**

873 Waterman Ave.  
**East Providence** 02914  
 Tel: (401) 449-9371  
 TWX: 710-381-7573

**TEXAS**

1370  
 201 E. Azanabo Rd.  
**Richardson** 75080  
 Tel: (214) 231-6101  
 TWX: 910-667-4723

P.O. Box 22813  
 75201  
**Springer Drive**  
 Suite 100  
**Houston** 77027  
 Tel: (713) 781-6000  
 TWX: 910-881-2645

231 Billy Mitchell Road  
**San Antonio** 78247  
 Tel: (512) 844-4171  
 TWX: 910-871-1170

**UTAH**

2890 South Main Street  
**Salt Lake City** 84115  
 Tel: (801) 487-7715  
 TWX: 910-923-5681

**VERMONT**

P.O. Box 292  
 1000 Spruce Drive  
**South Burlington** 05401  
 Tel: (802) 658-4455  
 TWX: 510-299-0025

**VIRGINIA**

1114  
 211 Spencer Road  
**Richmond** 23230  
 Tel: (703) 285-3131  
 TWX: 710-956-0157

**WASHINGTON**

433-108th N.E.  
**Bellevue** 98004  
 Tel: (206) 449-9371  
 TWX: 910-443-2303

**\*WEST VIRGINIA**

**Charleston**  
 Tel: (804) 768-1232

**FOR U.S. AREAS NOT LISTED:**

Contact the regional office nearest you Atlanta, Georgia . . . North Hollywood, California . . . Phoenix, Arizona . . . Spokane, Illinois. Their complete addresses are listed above.

\*Service Only

## CANADA

**ALBERTA**  
Hewlett-Packard (Canada) Ltd.  
13745 Jasper Ave.  
Edmonton  
Tel: (403) 489-5561  
Telex: 610-831-2431

**BRITISH COLUMBIA**  
Hewlett-Packard (Canada) Ltd.  
4519 Canada Way  
North Burnaby 2  
Tel: (604) 433-8213  
Telex: 610-922-3029

**MANITOBA**  
Hewlett-Packard (Canada) Ltd.  
511 Bradford Ct.  
St. James  
Tel: (204) 786-7683  
Telex: 610-671-3531

**NOVA SCOTIA**  
Hewlett-Packard (Canada) Ltd.  
2745 Dutch Village Rd.  
Suite 203  
Dartmouth  
Tel: (902) 455-0511  
Telex: 610-271-4482

**ONTARIO**  
Hewlett-Packard (Canada) Ltd.  
880 Lady Ellen Place  
Ottawa  
Tel: (613) 729-4223  
Telex: 610-562-1952

**QUEBEC**  
Hewlett-Packard (Canada) Ltd.  
275 Hymus Boulevard  
Montreal  
Tel: (514) 657-4232  
Telex: 610-422-3022  
Telex: 01-20607

Hewlett-Packard (Canada) Ltd.  
Bay St.  
Burlington  
Tel: (416) 677-9611  
Telex: 610-492-4246

**FOR CANADIAN AREAS NOT LISTED:**  
Contact Hewlett-Packard (Canada) Ltd. in Pointe Claire, at the above complete address listed above.

## CENTRAL AND SOUTH AMERICA

**ARGENTINA**  
Hewlett-Packard Argentina  
S.A.C.e. s. r. l.  
Lavalle 171, 3  
Buenos Aires  
Tel: 35-0436; 35-0627; 35-0431  
Telex: 012-1009  
Cable: HEWPACHARG

**BRAZIL**  
Hewlett-Packard Do Brasil  
I.e.C. Ltda.  
Rua da Matriz, 29  
Bairro do Centro  
Rio de Janeiro, GB  
Tel: 246-4417  
Cable: HEWPACK Rio de Janeiro  
Telex: 044-400

**CHILE**  
Coltagni y Cia. Ltda.  
Bellos 1832-3er Piso  
Casilla 13842  
Santiago  
Tel: 4-2396  
Cable: Coltagni Santiago  
575-8030

**COLOMBIA**  
Industria de  
Hemik A. Langebaek & Ker  
Liria 7 No. 68-59  
Carrera 7 Apto. 6287  
Bogota, D.E.  
Tel: 45-78-06; 45-55-46  
Cable: AARIS Bogota  
Telex: 044-400

**MEXICO**  
Hewlett-Packard Mexicana, S.A.  
Meraz 439  
Col. del Valle  
Mexico 12, D.F.  
Tel: 575-56-49; 575-80-20;  
575-80-30

**PERU**  
Compania Electro Medica S.A.  
Ave. Enrique Canaal 312  
San Isidro  
Lima  
Tel: 22-3900  
Cable: ELMED Lima

**PANAMA**  
Baltosa, S.A.  
P.O. Box 4929  
Ave. Manuel Espinosa No. 13-50  
Bldg. Alita  
Panama City  
Tel: 3481003; Curundo,  
Canal Zone  
Cable: ELECTRON Panama City

**VENEZUELA**  
Hewlett-Packard De Venezuela  
C.A.  
Apartado 50933  
Caracas  
Tel: 71-88-05; 71-88-69; 71-99-30  
71-88-40  
Cable: HEWPACK Caracas

**FOR AREAS NOT LISTED,**  
**CONTACT:**  
Hewlett-Packard  
3200 Hillview Ave.  
Palo Alto, California 94304  
Tel: (415) 353-1200  
Telex: 034-8461  
Cable: HEWPACK Palo Alto  
Telex: 034-8461

**PUERTO RICO**  
San Juan Electronics, Inc.  
P.O. Box 4929  
Ponce de Leon 154  
San Juan  
Tel: (809) 273-3342  
Telex: 5170000000000000  
Telex: SATRON 3450 332

**VENEZUELA**  
Hewlett-Packard De Venezuela  
C.A.  
Apartado 50933  
Caracas  
Tel: 71-88-05; 71-88-69; 71-99-30  
71-88-40  
Cable: HEWPACK Caracas



## EUROPE

### AUSTRIA

Hewlett-Packard  
Wissenschaftliche Instrumente  
Rummelhardtgasse 6  
P.O. Box 33  
1090 Wien, Austria  
Tel: (0222) 4241 81, 43 13 94  
Cable: LABORINSTRUMENT  
Vienna  
Telex: 75 762

### FRANCE

Hewlett-Packard France  
Quartier de Courtabœuf  
10, rue de la Vallée No. 6  
91 Orsay  
Tel: 1 520 88 01  
Cable: HEWPACK Orsay  
Telex: 60048

### GERMANY

Hewlett-Packard Vertriebs-GmbH  
Berliner Strasse 117  
Postfach 560/40  
D6 Niederl. Kornbach Ffm. 56  
Tel: 061 235 39  
Cable: HEWPACKSA Frankfurt  
Telex: 41 32 49 FFA

### GREECE

Hewlett-Packard  
18 Ermou Street  
Athens 126  
Tel: 230301, 35  
Cable: HEWPACK Athens  
Telex: 21 59 92 HEKAR GR

### ITALY

Hewlett-Packard Italiana S.p.A.  
Via S. Pietro all'Orto, 2  
20124 Milano  
Tel: (02) 6251 (10 lines)  
Cable: HEWPACKIT Milan  
Telex: 32046

### NETHERLANDS

Hewlett-Packard Benelux N.V.  
Wendestein 117  
Postbus 211  
Amsterdam 211  
Tel: 020-42 77 77  
Cable: PALOBBEN Amstredam  
Telex: 13 216

### SPAIN

Atajo Ingenieros SA  
Enrique Larreta 12  
Madrid 151  
Tel: 215 39 43  
Cable: TELEATAIO Madrid  
Telex: 27249E

### SWEDEN

Hewlett-Packard Sverige AB  
Engelstsvägen 1-3  
Fack  
S-161 20 Bromma 20  
Tel: 08-736 00 00  
Cable: MEASUREMENTS  
Stockholm  
Telex: 10721

### SWITZERLAND

Hewlett-Packard Schweiz A.G.  
Rue du Bois-du-Lan 7  
1217 Meyrin 2 Geneva  
Tel: (022) 366 06 06  
Cable: HEWPACKSA Geneva  
Telex: 2 24 86

### UNITED KINGDOM

Hewlett-Packard Ltd.  
224 Bath Road  
Slough, Bucks  
Tel: Slough (0753) 33341  
Cable: HEWPACKSA Slough  
Telex: 84413

### YUGOSLAVIA

Bertram S.A.  
83 avenue des Mimosas  
Brussels 1150, Belgium  
Tel: 02 735 39 43  
Cable: BELGAMEL Brussels  
Telex: 21790

### SOCIALIST COUNTRIES

PLEASE CONTACT:  
Correspondence Office for  
Eastern Europe  
Imtstrasse 23/2  
1000 Vienna, Austria  
Tel: (022) 3366 06/09  
Cable: HEWPACK Vienna  
Telex: 75923

### ALL OTHER EUROPEAN

COUNTRIES CONTACT:  
Hewlett-Packard S.A.  
1217 Meyrin 2 Geneva  
Switzerland  
Tel: (022) 41 54 00  
Cable: HEWPACKSA Geneva  
Telex: 2 24 86



MANUAL PART NUMBER 10529-90007  
MICROFICHE PART NUMBER 10529-90008

PRINTED IN U.S.A.